

WS-109-R



FEATURES

- Factory tested
- Corner Unit
- Left/Right Models Available
- Polished Aluminum Trim
- Tempered glass walls and doors
- Sliding Doors
- FM Radio
- Steam Aromatherapy Cup
- Accessory Rack
- Body Massage Jets
- Rainfall Shower
- Thermostatic Faucet
- Waterproof Oak Shower Grid
- Hand-held Shower w/ Height-adjustable Bracket
- Folding Seat
- Pressure Balance Valve (On Request)
- Control Panel
- Circulation Fan
- Chromotherapy/LED Color Lighting
- Self-Cleaning Steam Generator

TECHNICAL INFORMATION

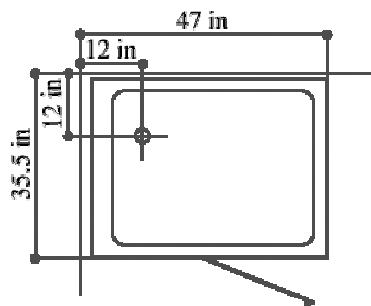
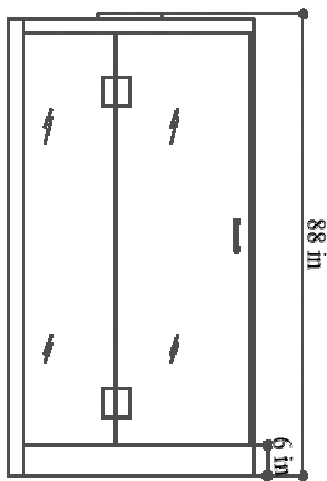
- **Materials:** Aluminum, Tempered Glass
- **Power Supply:** 220 volt, 3KW
- **Steam Ready:** 2-5 MIN
- **Dimensions:** 48 x 36 x 88 IN

PLUMBING REQUIRMENTS

- The unit is equipped with hot and cold, metal braided ½ inch water supply hose with ½ national pipe thread.
- Need to install hot and cold shutoffs with ½ -male national pipe thread (not included).
- Supply hoses are to connect from the faucet manifold on the unit to the shutoff valves.
- All water jet features are pre plumbed with reinforced braided flexible supply hose
- All fixtures and fittings should be checked for tightness as they may have been loosened during transport

ELECTRICAL REQUIREMENTS

- Steam box- 3 KW
- 1 dedicated 12-2 wire with 20 amp GFCI breaker
- There is a length of wire from the steam box supplied to connect to the active power source.



GENERAL INFORMATION

- Units come broken down in panels and are assembled with screws, nuts and bolts on site. All seams to be caulked with 100% silicone at room temperature. (no latex caulking)
- **Note:** All shower bases need to be leveled in its final resting position, mark the placement, then pull base out and begin assembly.
- It is advised to have base onsite before preparing drain location.