

# K-550

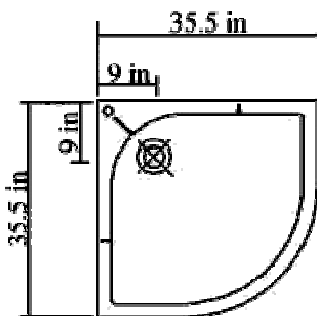
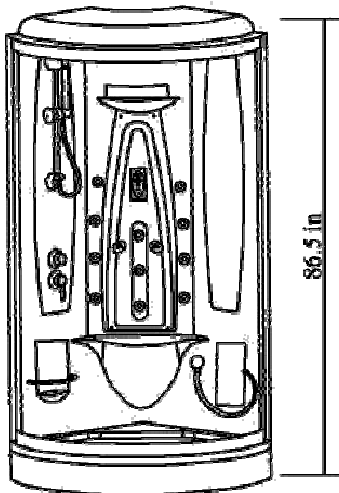


## FEATURES

- Factory Assembled and Tested
- Corner Unit
- Polished Finish
- FM Radio
- Steam Aromatherapy Cup
- Accessory Rack
- Mirror
- Foot Massage
- Body Massage Jets
- Rainfall Shower
- Hand-held Shower with Height-Adjustable Bracket
- Molded Seat
- Pressure Balance Valve (On Request)
- Adjustable Time Settings
- Computer Panel with Remote
- Sliding Doors
- Circulation Fan
- Fluorescent Light
- Interior Access Panel
- Tempered Glass
- Self-Cleaning Steam Generator

## TECHNICAL INFORMATION

- **Materials:** Acrylic, Tempered Glass
- **Power Supply:** 220V, 3KW
- **Steam Ready:** 2-5 MIN
- **Dimensions:** 36 x 36 x 87 IN



## ELECTRICAL REQUIREMENTS

- Steam box- 3 KW
- Dedicated 12-2 line for steam (line 1, line 2, and ground)
- 220 volt, 20 amp GFCI breakers
- There is a length of wire from the steam box supplied to connect to power source

## PLUMBING REQUIREMENTS

- The unit is equipped with hot and cold, metal braided ½ inch water supply hose with ½ national pipe thread.
- Need to install hot and cold shutoffs with ½ -male national pipe thread (not included).
- Supply hoses are to connect from the faucet manifold on the unit to the shutoff valves.
- All water jet features are pre plumbed with reinforced braided flexible supply hose
- All fixtures and fittings should be checked for tightness as they may have been loosened during transport. It is advised to have base onsite before preparing drain location.

## GENERAL INFORMATION

- Units come broken down in panels and are assembled with screws, nuts and bolts on site. All seams to be caulked with 100% silicone at room temperature (no latex caulking)
- **Note:** All shower bases need to be leveled in its final resting position, mark the placement, then pull base out and begin assembly.
- It is advised to have base onsite before preparing drain location.