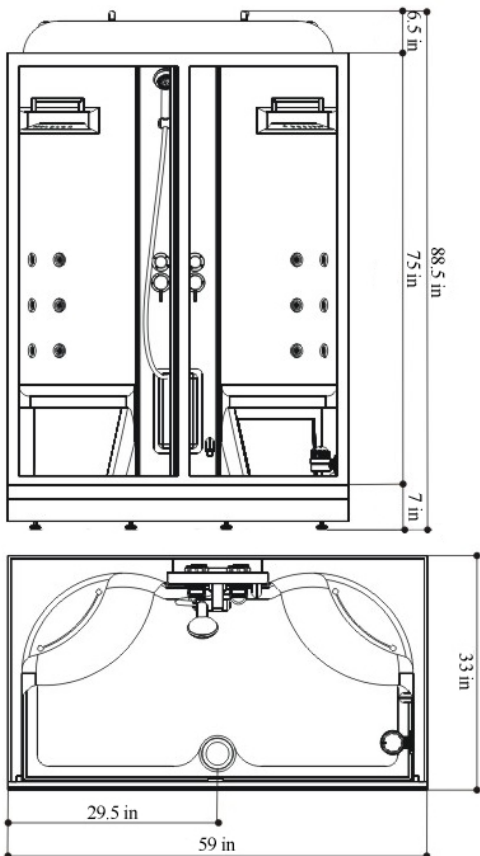


FJ-2249

FEATURES



- Factory tested
- FM Radio
- Steam Aromatherapy Cup
- Safety Grab Bar
- Accessory Rack
- Mirror
- Foot Massage
- Diverter
- Body Massage Jets
- Set of Mist Jets
- Rainfall Shower
- Hand-held Shower w/ Height-adjustable Bracket
- 2 Single Person molded seats
- Pressure Balance Valve (On Request)
- Adjustable Time Settings
- Control Panel
- Sliding Door
- Circulation Fan
- Chromatherapy Lighting
- Interior Access Panel
- Drain Access Panel
- Tempered Glass
- Self-Cleaning Steam Generator



TECHNICAL INFORMATION

- **Materials:** Acrylic, Tempered Glass
- **Power Supply:** 220V, 3KW
- **Steam Ready:** 2-5 MIN
- **Dimensions:** 58 x 33 x 90 IN

PLUMBING REQUIREMENTS

- The unit is equipped with hot and cold, metal braided ½ inch water supply hose with ½ national pipe thread.
- Need to install hot and cold shutoffs with ½ -male national pipe thread (not included).
- Supply hoses are to connect from the faucet manifold on the unit to the shutoff valves.
- All water jet features are pre plumbed with reinforced braided flexible supply hose
- All fixtures and fittings should be checked for tightness as they may have been loosened during transport

GENERAL INFORMATION

- Units come broken down in panels and are assembled with screws, nuts and bolts on site. All seams to be caulked with 100% silicone at room temperature. (no latex caulking)
- **Note:** All shower bases need to be leveled in its final resting position, mark the placement, then pull base out and begin assembly.
- It is advised to have base onsite before preparing drain location.

ELECTRICAL REQUIREMENTS

- Steam box- 3 KW
- 1 dedicated 12-3 line for steam box (line 1, line 2, and ground and neutral)
- 220 volt, 20 amp GFCI breakers
- There is a length of wire from the steam box supplied to connect to power source.